



1.

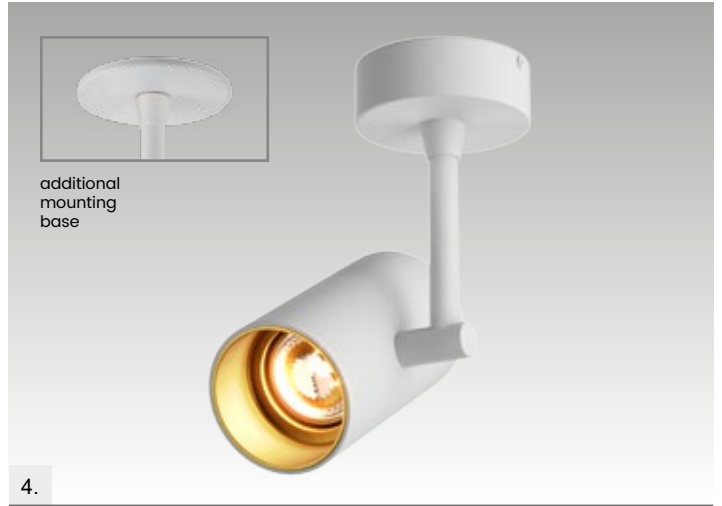


2.



additional  
mounting  
base

3.



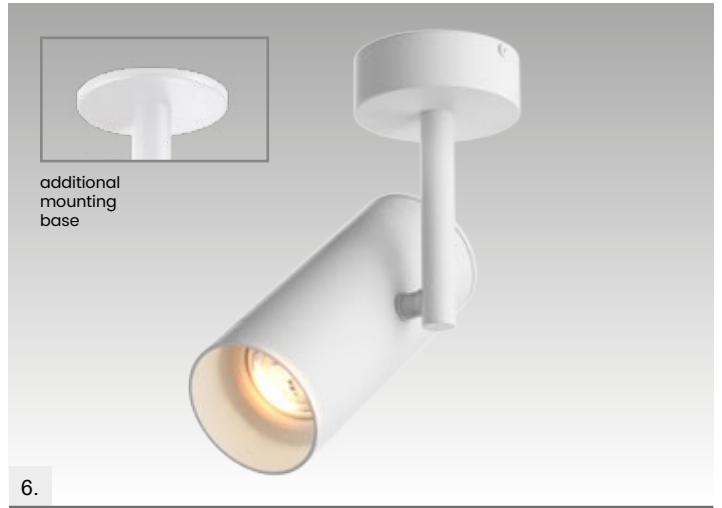
additional  
mounting  
base

4.



additional  
mounting  
base

5.



additional  
mounting  
base

6.

